



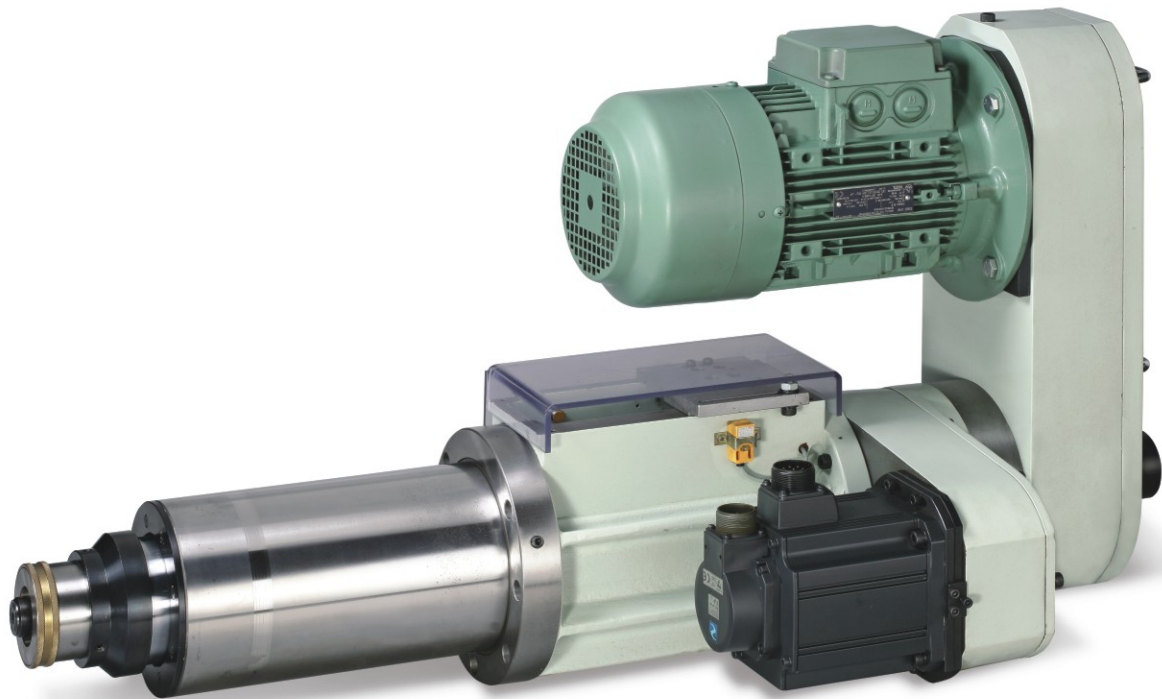
FD12S-120 Servo Drilling Unit

■ Specification

Drilling Capacity	φ 30(mild steel)
Spindle nose type:	HSK-63C
Power	1.5kw~3.7kw, 220V/440V, 50Hz/60Hz
Max. Revolution/Minute	3,600rpm
Weight	200kg
Stroke	120mm
Transmission	8YU

■ Specification

Spindle Bearing	a. 32010x1, 6010Zx1, 60008Zx1, 32008x1
	b. 7010x3, 7008x2
Pulley Bearing	32014x1, 32914x1
Transmission Bearing	6210ZZx1, 6012ZZx1
Bearing Set Seal	SER105-115-8x2, V-60Ax2
Conical key	PL070x110AE
Lock Nuts	MR50x1.5-1, MKR40x1.5-1, MR70x2.0-1
Snap Ring	S50x1, R95x1

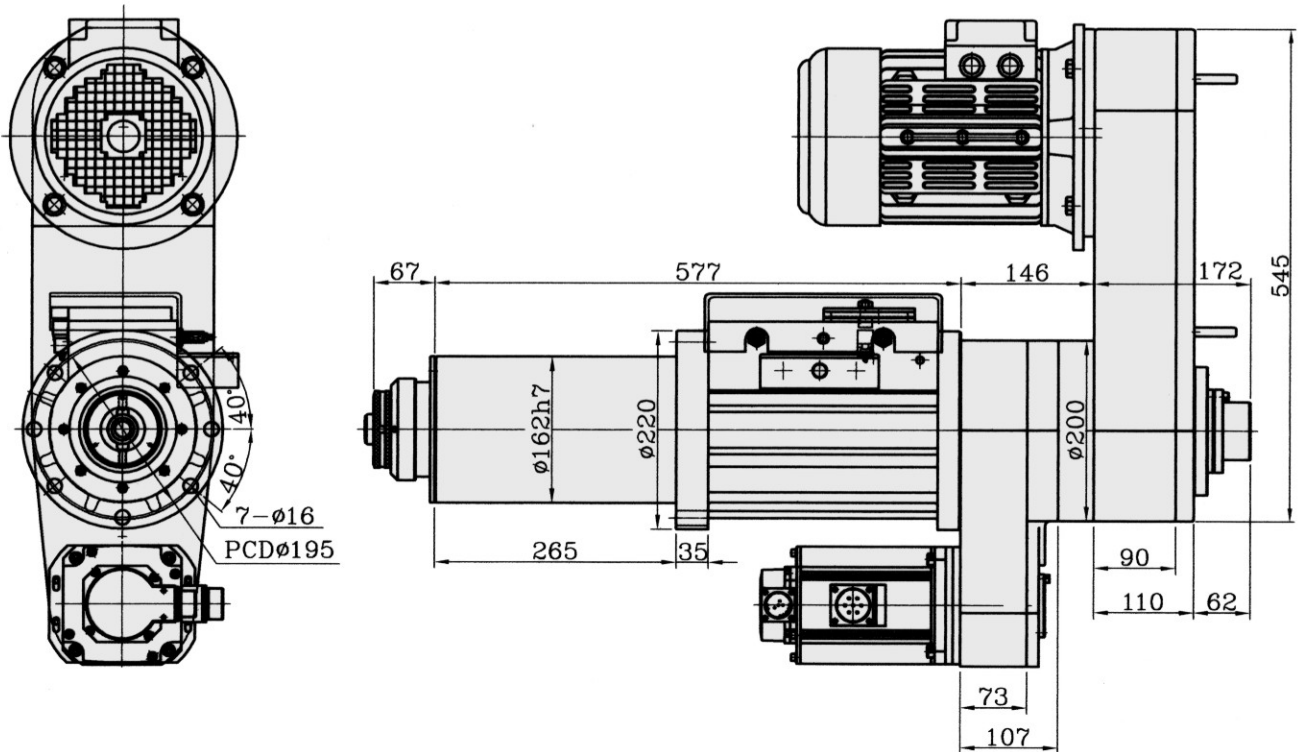




FD12S-120

Servo Drilling Unit

Dimensions



FD12S-120-HSK63C

